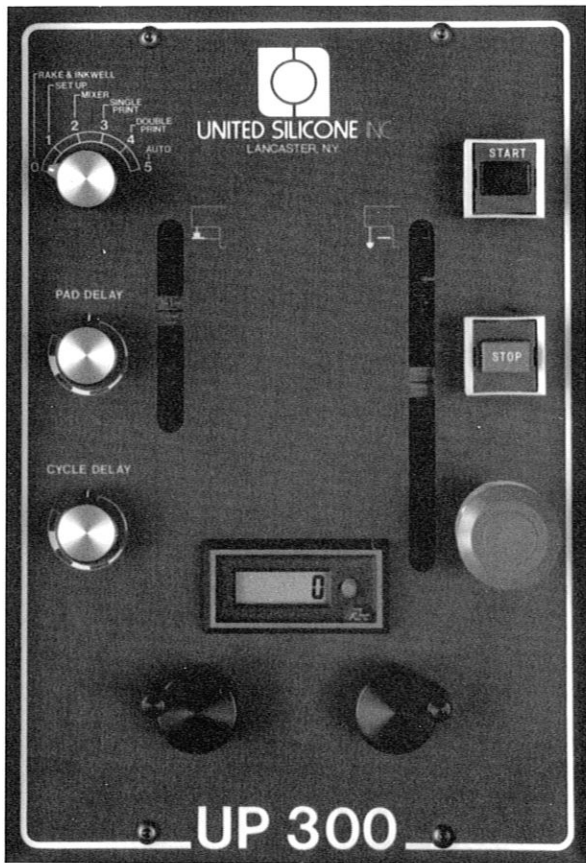


# Uni-Printer Model UP 300

PAD TRANSFER PRINTING SYSTEMS  
from UNITED SILICONE INC.





Control panel for UP 300

## Standard Features

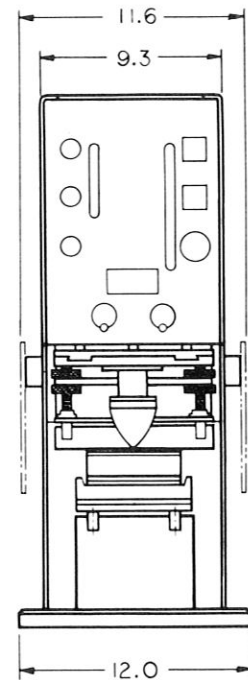
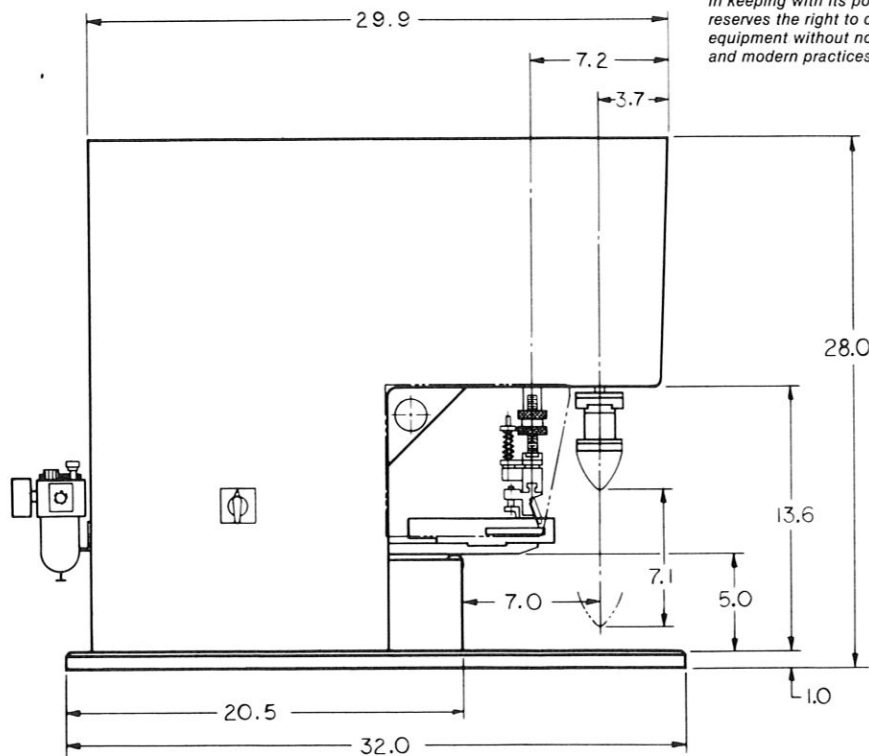
- Vertical pad motion eliminates pad vibration and resultant delays
- Greater work-space area
- Rigid frame ensures smooth operation
- Modular design enables in-line use
- All controls located on front panel for time-saving convenience
- Pad position set up control
- Single-auto-mixing cycle
- Variable speed
- Cycle and pad delay
- Double print control
- X Y R pad adjustment
- Pad stroke adjustment in pick-up and printing positions
- X Y inkwell and plate adjustment
- Self-adjusting doctor blade
- Quick-change doctor blade and flood bar
- Quick-change inkwell and plate
- Digital counter
- Transparent side guards
- Emergency stop

## Specifications

Cycle Capacity	— up to 1800 cycle/hour
Drive	— electro-pneumatic
Air Supply	— 70 psi
Air Consumption	— 4 cu. ft./min.
Input Voltage	— 110 volts 50/60 Hz
Control Voltage	— 24 volts DC — 0.4A
Weight	— 220 lbs.

Plate Size	3/8" x 3" x 6"	3/8" x 3" x 8"
Printing Area	2" dia. or 2" x 4"	2" dia. or 1 1/2" x 6"

*In keeping with its policy of continuous product improvement, United Silicone reserves the right to discontinue or change specifications, designs, materials and equipment without notice or obligation, consistent with sound engineering principles and modern practices.*



**U.S.A.:**  
 United Silicone Inc.  
 4471 Walden Ave., P.O. Box 265  
 Lancaster (Buffalo), NY 14086  
 Phone: (716) 681-8222  
 FAX: (716) 681-8789

**U.S.A.:**  
 United Silicone West  
 2326 N. Batavia St.  
 Unit 114  
 Orange, CA 92665  
 Phone: (714) 974-2772  
 FAX: (714) 974-0422

**BRAZIL:**  
 ICLA Industria  
 Rua Severa, 477-Vila Maria  
 Sao Paulo-CEP 02111, Brazil  
 Telephone: (011) 292-5499  
 Telex: (011) 32-758  
 FAX: 019/88